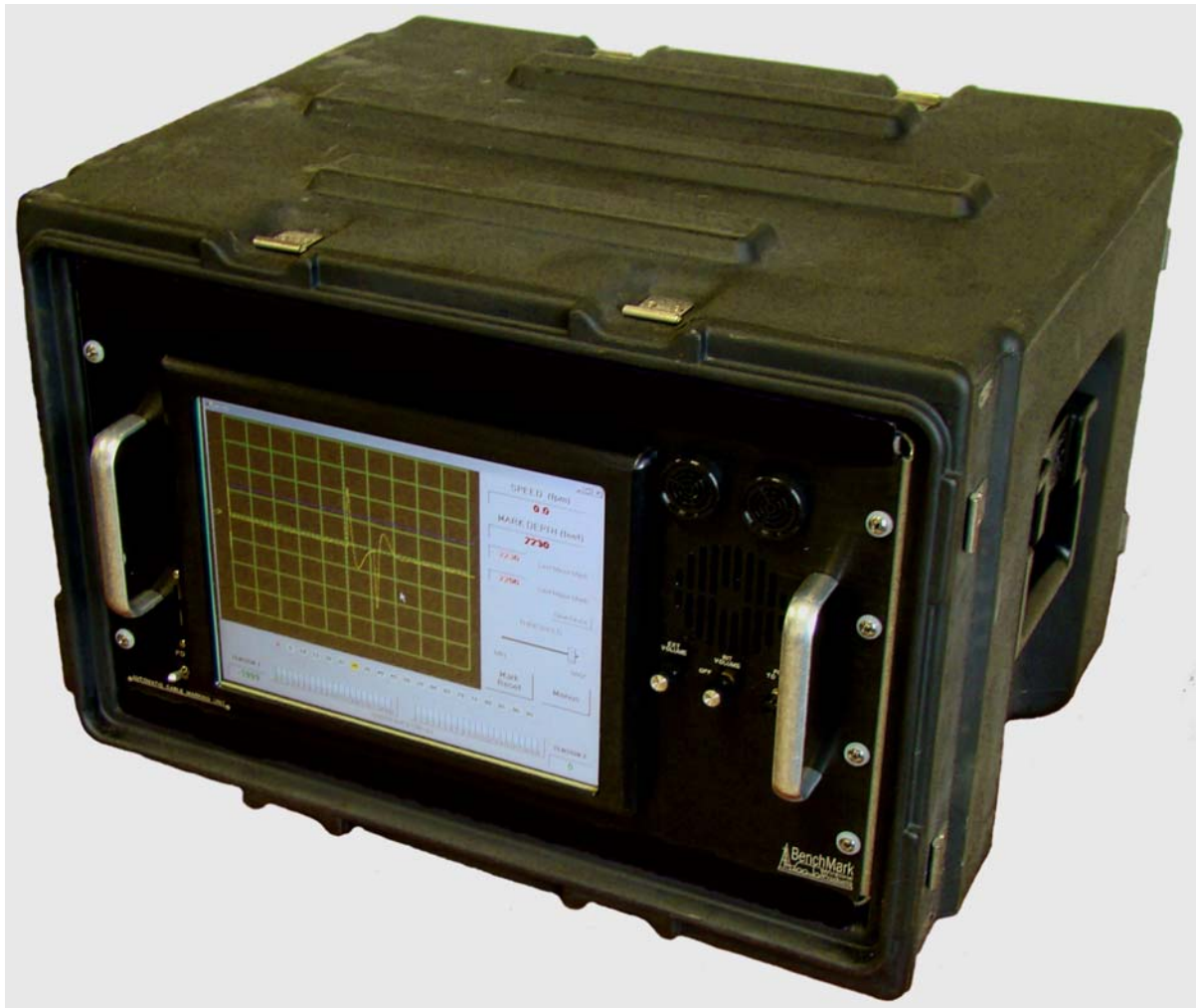


AUTOMATIC CABLE MARKING SYSTEM SPECIFICATION

p/n ACMU6A00



DESCRIPTION

This system replaces the current Kerr ACMU1A01 marking panel. It is compatible with the existing Kerr ACMU2A01, ACMU3A01, and ACMU4A01 marking arms and frame assembly.

The control panel contains an industrial PC running MSwindows. The PC input is accomplished by either using the touch screen placed over the display or through a keyboard that is provided.

A PC scope card is used to display the minor mark signals. This scope card replaces the conventional oscilloscope used in the old panels.

The panel also provides encoder and tension inputs to allow the system to display, record and print depth, tension, and mark data.

An intercom system is also included. The intercom provides a means to connect a remote speaker which can be used for voice communication.

A connection to an internal relay is provided to allow an external high volume alarm to be used so major marks can be heard in a noisy environment.

The Erase transformer and variac are removed from the control panel and packaged in a separate enclosure. This allows the degausser to be operated independently from the control panel. It can also be connected through the panel so marks can be erased while the cable is being marked.

The system is packaged inside a Hardigg ProRack double lid case.

FEATURES

- 120 - 240 VAC 50-60 HZ Power Input
- Improved minor mark detector
 1. Digital scope card provides more reliable display of minor marks
 2. Improved low noise minor mark detector circuitry
 3. New design allows marks to be installed accurately over a wider range of speeds
 4. Double mark warning and alarm are activated when a double mark condition is detected.
- Data recorder and printout
 1. Mark, depth, and tension data stored to internal memory card
 2. Data can be printed to a printer through a USB port
 3. Data can be moved to a USB thumb drive for plotting with an external PC
- Intercom
 1. Remote speaker connects to the intercom output
 2. Remote speaker serves both as a speaker and microphone
 3. Optional remote speaker with cable spool of upto 250' in length
- Internal PC board
 1. Intel based personal computer board
 2. 1 GB solidstate media device
 3. Embedded windows XP operating system
 4. Two USB ports
 5. USB Mouse / Keyboard included
- Color Display
 1. TFT LCD
 2. Backlit
 3. 400 NITS Sunlight readable
 4. Touch Screen Interface (replaces current key pad)
 5. 5 wire resistive
 6. USB interface
- Real Time Acquisition board
 1. Proprietary design based on 8051 Microprocessor
 2. Provides power to encoders, magnetic mark detector, and load cell
 3. Processes encoder quadrature pulses, magnetic mark signal, and load cell
 4. Runs independent of windows embedded PC

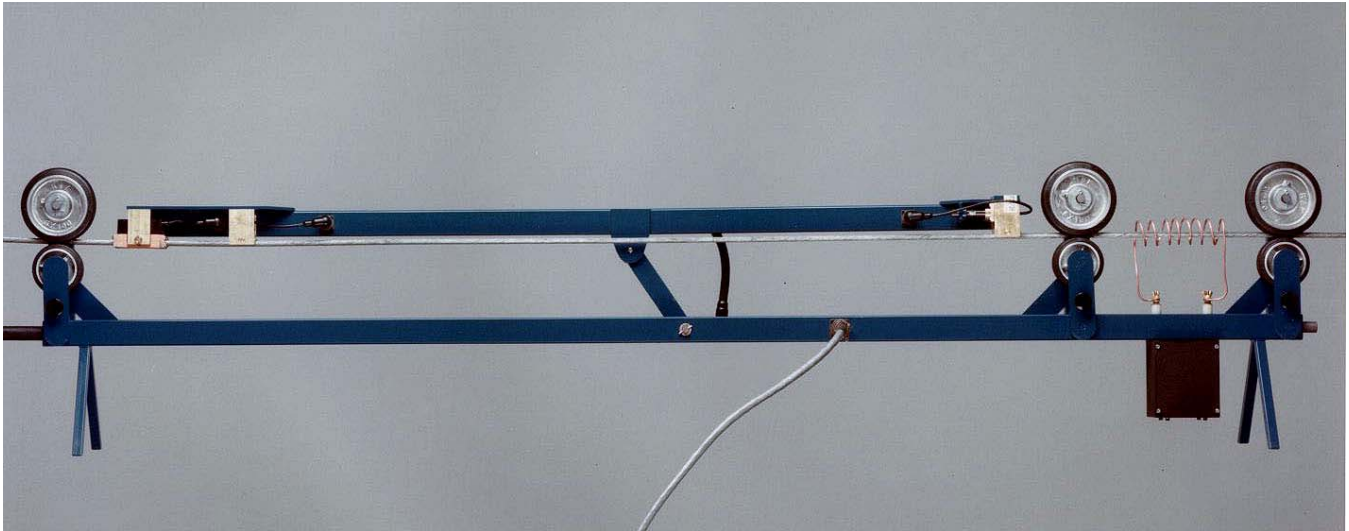
ACMU6A01 CONTROL PANEL



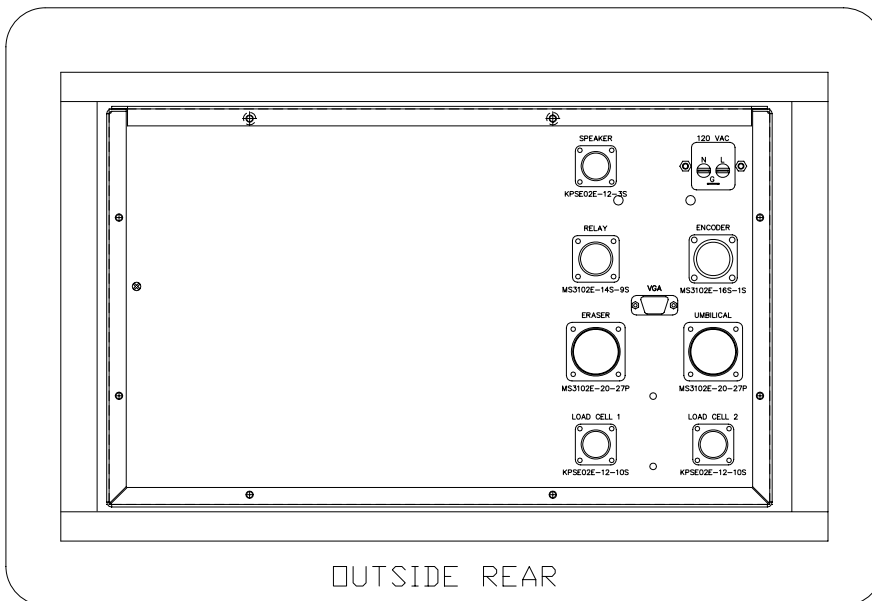
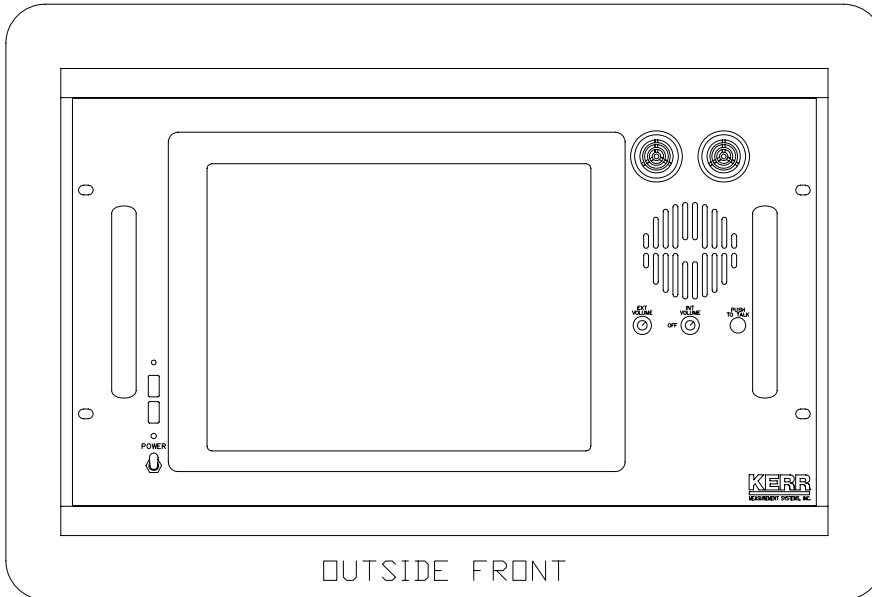
ACMU6A02 ERASER PANEL



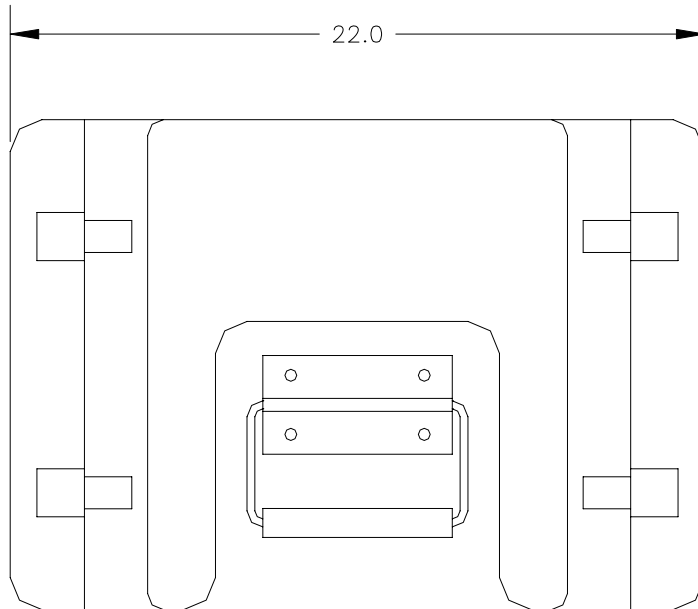
**ACMU2A01 FRAME
ACMU3A01 (ENGLISH) / ACMU4A01 (METRIC) BASE**



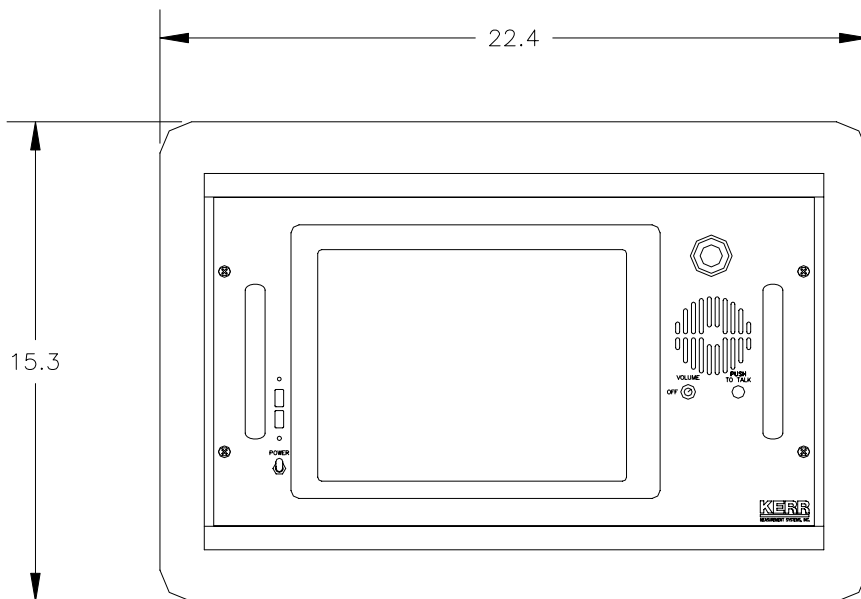
PANEL LAYOUT DRAWINGS



PANEL DIMENSIONS



OUTER CASE SIDE VIEW



FRONT VIEW